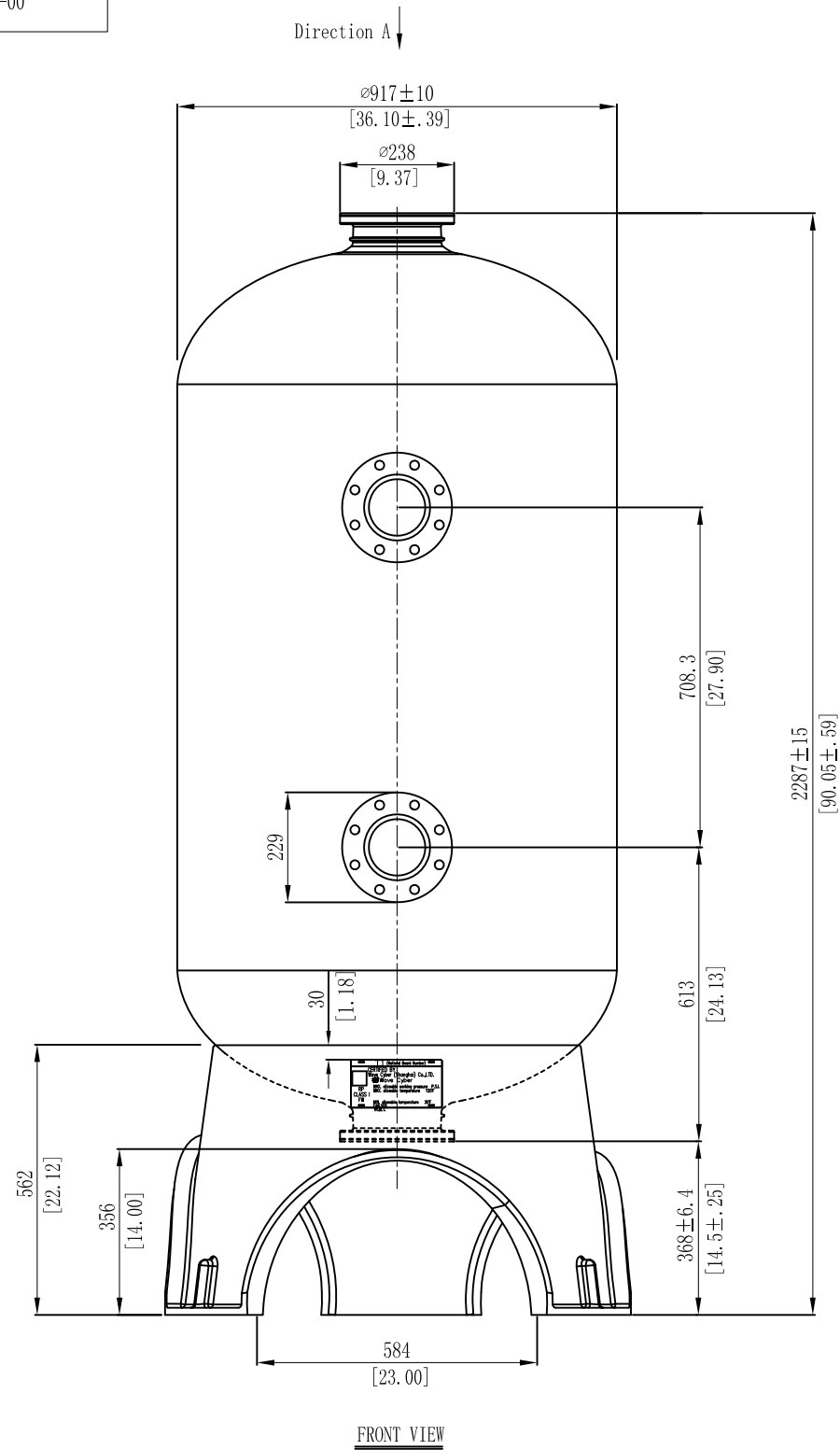
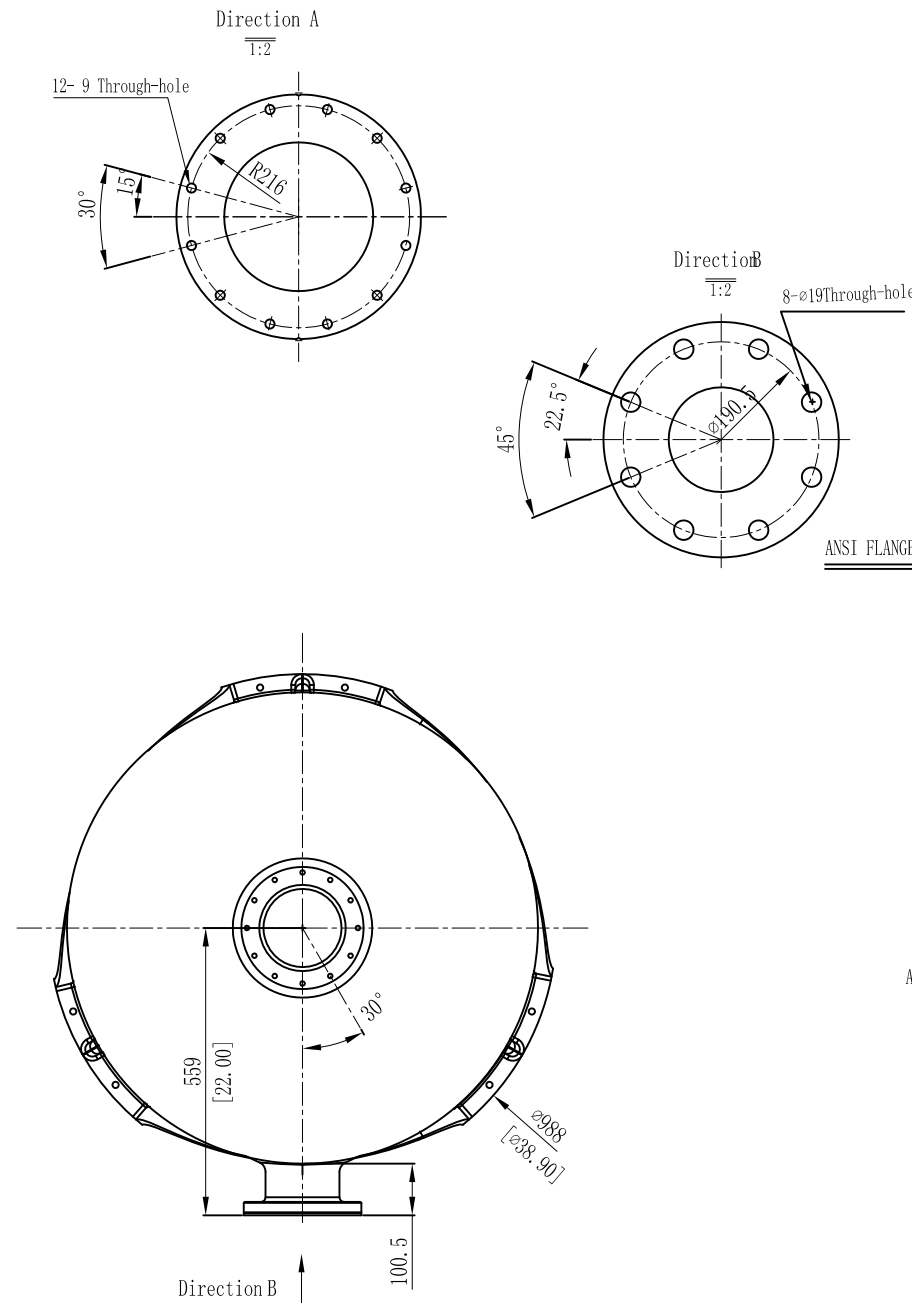


13362211-00

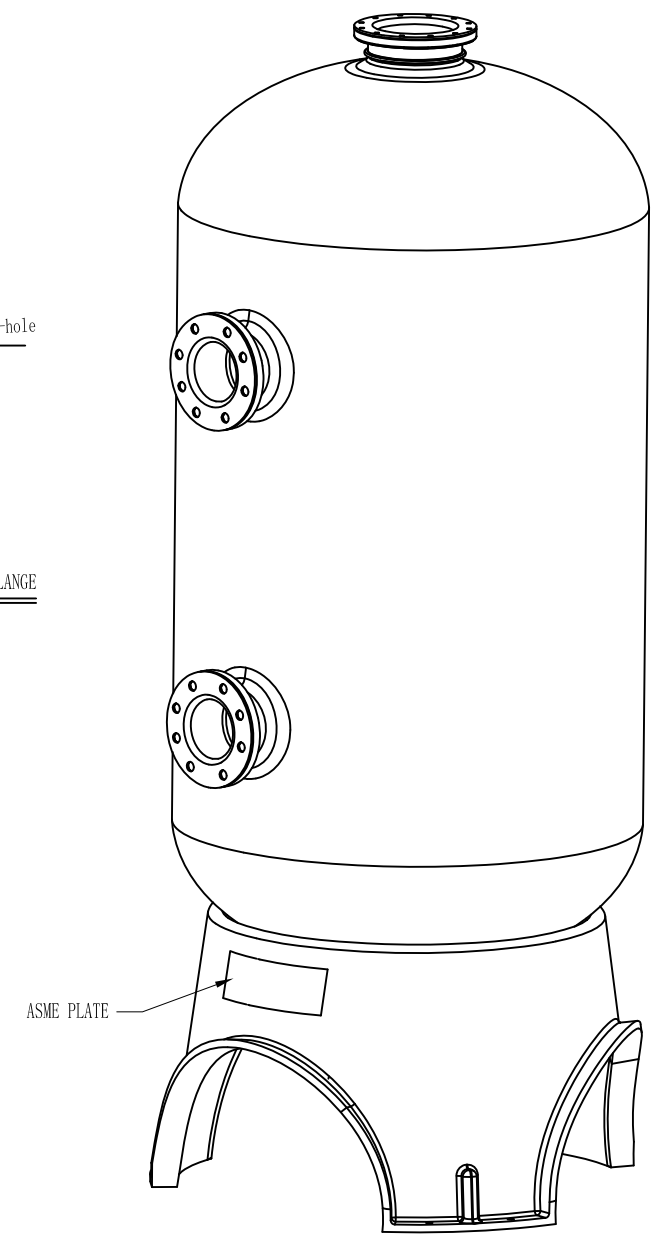


FRONT VIEW



TOP VIEW

MODEL	VOLUME			DOME VOLUME			WEIGHT	
	liters	U. S. gal	cubic FT	liters	U. S. gal	cubic FT	Kg	LBS
36x72	998	263.6	35.2	125.8	33.21	4.44	139.7	308



NOTES:

- 1 . TANK MUST MEET ALL APPLICABLE SPECIFICATIONS OF NSF/ANSI 044 STANDARD, LATEST REVISION.
- 2 . OPERATING SPECIFICATIONS:
  - A. MAXIMUM WORKING PRESSURE - 150 PSI (10.5BAR)
  - B. TEMPERATURE RANGE - 34-150° F (1-65°C)
  - C. MAXIMUM VACUUM - 5"Hg (127mm Hg)
- 3 . VISUAL LINER INSPECTION
  - A. NO MORE THAN 20 INTERNAL OR EXTERNAL BLEMISHES OR BURNT DEBRIS.
  - B. NO INTERNAL OR EXTERNAL BLEMISHES OR BURNT DEBRIS LARGER THAN 5×5mm.
  - C. NO INTERNAL BLEMISHES OR BURNT DEBRIS ALLOWED.
- 4 . ALL GLASS STRANDS FROM FIBERGLASS LINER TO BE BONDED AND COVERED.
- 5 . SURFACE TO BE FREE OF NICKS, SCRATCHES, RESIN AND GLASS.

- 6 . SURFACE FINISH.
- 7 . DIMENSIONS IN PARENTHESIS ARE REFERENCE ONLY.
- 8 . TANK TO BE BONDED TO BASE.
- 9 . USING A STANDARD LEVEL WITH TANK POSITIONED ON A LEVEL SURFACE, DATUM B TO BE PARALLEL WITH DATUM A. BUBBLE OF LEVEL MUST FALL COMPLETELY WITHIN LINES WHEN MEASURED AT 90° INTERVALS WHEN PLACED ON THE TOP OF THE FLANGE.
10. AFTER THE TANK IS LEVELED, IT IS RECOMMENDED THAT THE TANK BE BOLTED TO THE FLOOR IN SIX POSITIONS PER THE TRIPOD BASE BOLT HOLE PATTERN WITH 3/8" ANCHORS.

VERSION NO.	DESCRIPTION OF CHANGES:	SIGNATURE	DATE
REFERENTIAL PLASTIC SHRINKAGE (IF NECESSARY):			
SIGNATURE	<b>WAVE CYBER (SHANGHAI) CO., LTD.</b>		
NAME DATE			
DESIGN Jed 05/15/2019	SCALE 1 : 12	MATERIAL	MODEL
INSPECTION	QUANTITY	SMOOTHNESS	DESCRIPTION
APPROVAL Tom 05/15/2019	PROJECTION	COMPUTER CODE	DRAWING NO. 13362211-00
THIS PRODUCT DRAWING CAN NOT BE COPIED AND/OR USED WITHOUT PRIOR WRITTEN APPROVAL OF WAVE CYBER.		DRAWING NO. 13362211-00	VERSION NO. 6
DO NOT MEASURE THE DIMENSIONS.		UNIT: MM	TOTAL PAGE: 1