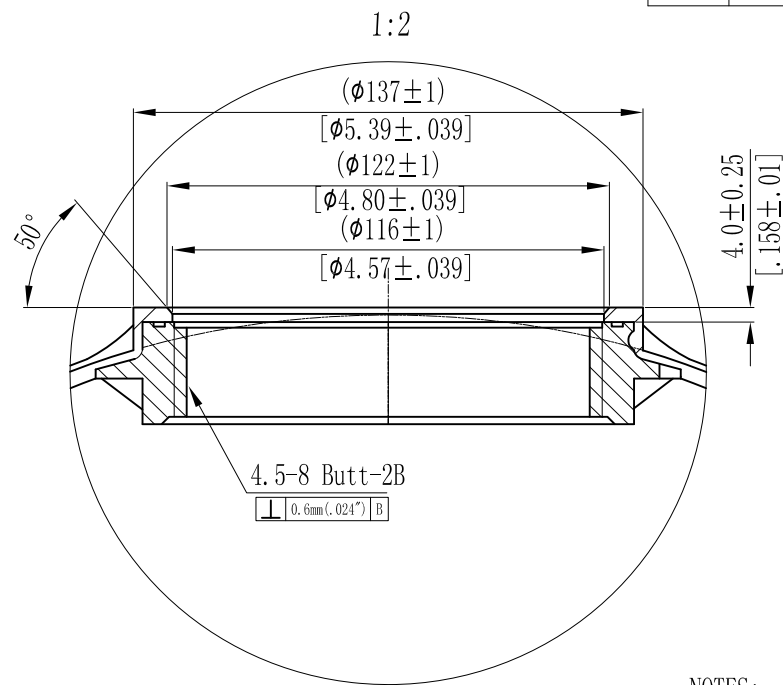
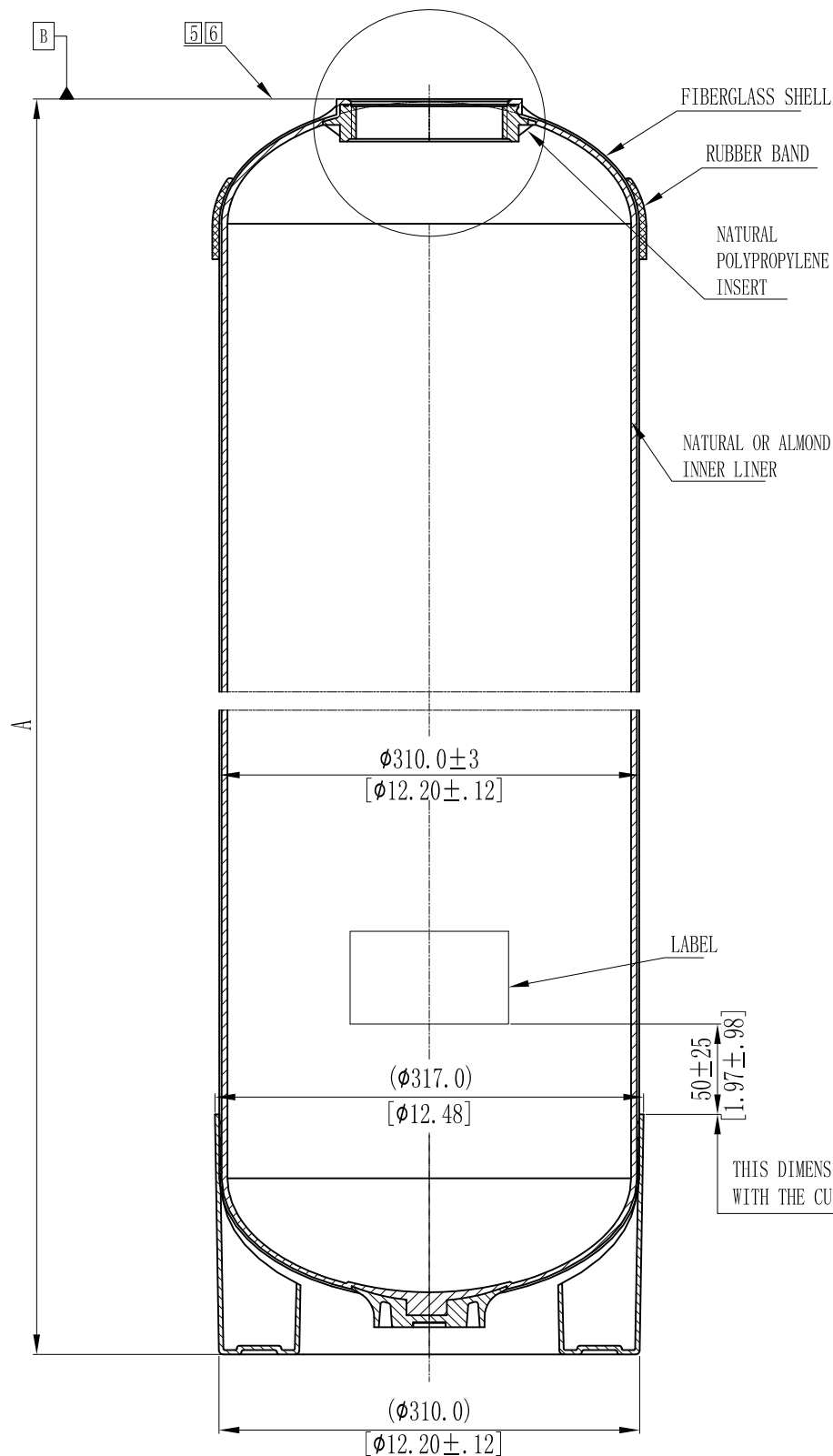


00-1971911

MODEL	A		+/-		VOLUME			DOME VOLUME			WEIGHT	
	mm	inch	mm	inch	liters	U.S. gal	cubic FT	liters	U.S. gal	cubic FT	Kg	LBS
12x48	1240	48.82	6	.24	89.0	23.51	3.14	3.87	1.02	0.14	11.28	24.82
12x52	1334	52.52	6	.24	97.0	25.63	3.43	3.87	1.02	0.14	11.98	26.36
12x36	948	37.32	6	.24	57.5	15.19	2.03	3.87	1.02	0.14	8.69	19.12
12x42	1074	42.28	6	.24	69.6	18.38	2.45	3.87	1.02	0.14	9.71	21.36



NOTES:

- 1 . TANK MUST MEET ALL APPLICABLE SPECIFICATIONS OF NSF/ANSI 044 STANDARD, LATEST REVISION.
- 2 . OPERATING SPECIFICATIONS:
  - A. MAXIMUM WORKING PRESSURE - 150 PSI (10.5BAR)
  - B. TEMPERATURE RANGE - 34-120° F (1-49°C)
  - C. MAXIMUM VACUUM - 5"Hg (127mm Hg)
- 3 . VISUAL LINER INSPECTION
  - A. NO MORE THAN 10 INTERNAL OR EXTERNAL BLEMISHES OR BURNT DEBRIS.
  - B. NO INTERNAL OR EXTERNAL BLEMISHES OR BURNT DEBRIS LARGER THAN 3×3mm.
  - C. NO INTERNAL BLEMISHES OR BURNT DEBRIS ALLOWED.
- 4 . ALL GLASS STRANDS FROM FIBERGLASS LINER TO BE BONDED AND COVERED.
- 5 . SURFACE TO BE FREE OF NICKS, SCRATCHES, RESIN AND GLASS.
- 6 . SURFACE FINISH.
- 7 . DIMENSIONS IN PARENTHESIS ARE REFERENCE ONLY.
- 8 . DIMENSIONS IN SQUARE PARENTHESIS ARE INCH UNIT.

THIS DIMENSION CAN BE CHANGED WITH THE CUSTOMERS' REQUIREMENT

3	THIS DRAWING IS UPDATED COMPLYING WITH THE CHINESE VERSION		2014/01/15
VERSION NO.	DESCRIPTION OF CHANGES:		SIGNATURE DATE
REFERENTIAL PLASTIC SHRINKAGE (IF NECESSARY):			
SIGNATURE			
DESIGN	NAME	DATE	<b>WAVE CYBER (SHANGHAI) CO., LTD.</b>
INSPECTION			
APPROVAL			
THIS PRODUCT DRAWING CAN NOT BE COPIED AND/OR USED WITHOUT PRIOR WRITTEN APPROVAL OF WAVE CYBER.		SCALE: 1:5	MODEL: 12" (4.5" DI) TANK) FRP VESSEL (STANDARD BASE)
		QUANTITY	SMOOTHNESS
		PROJECTION	COMPUTER CODE
		DRAWING NO. 1161251-00	VERSION NO. 3
DO NOT MEASURE THE DIMENSIONS.		UNIT: MM	TOTAL PAGE: 1