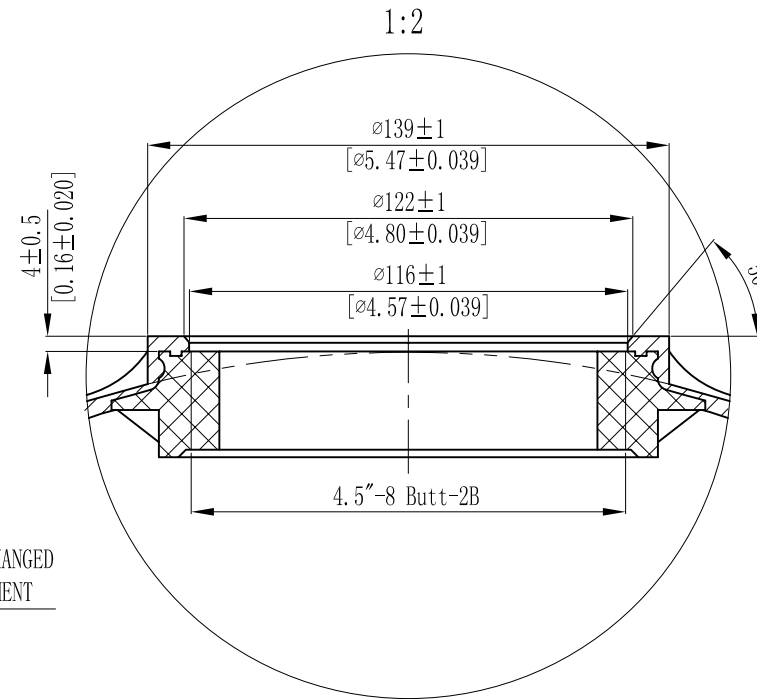
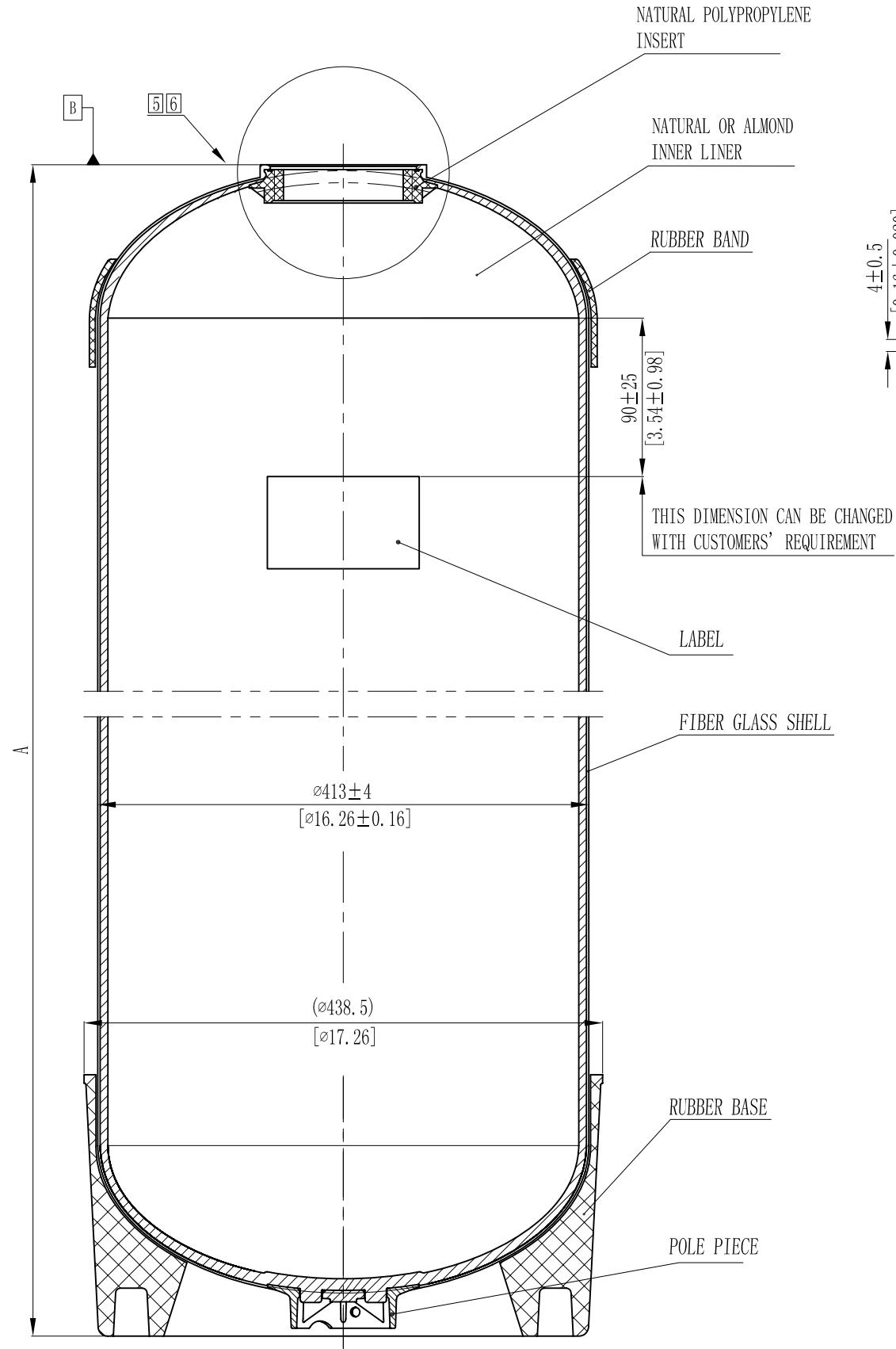


MODEL	A		VOLUME			DOME VOLUME			WEIGHT			
	mm	inch	+/-		liters	U.S. gal	cubic FT	liters	U.S. gal	cubic FT	Kg	LBS
16x65	1662	65.43	6	.24	195L	51.52	6.89	9.15	2.42	0.32	29.12	64.06



NOTES:

- TANK MUST MEET ALL APPLICABLE SPECIFICATIONS OF NSF/ANSI 044 STANDARD, LATEST REVISION.
- OPERATING SPECIFICATIONS:
 - A. MAXIMUM WORKING PRESSURE - 150 PSI (10.5BAR)
 - B. TEMPERATURE RANGE - 34-120° F (1-49°C)
 - C. MAXIMUM VACUUM - 5"Hg (127mm Hg)
- VISUAL LINER INSPECTION
 - A. NO MORE THAN 10 INTERNAL OR EXTERNAL BLEMISHES OR BURNT DEBRIS.
 - B. NO INTERNAL OR EXTERNAL BLEMISHES OR BURNT DEBRIS LARGER THAN 3×3mm.
 - C. NO INTERNAL BLEMISHES OR BURNT DEBRIS ALLOWED.
- ALL GLASS STRANDS FROM FIBERGLASS LINER TO BE BONDED AND COVERED.
- SURFACE TO BE FREE OF NICKS, SCRATCHES, RESIN AND GLASS.
- SURFACE FINISH.
- DIMENSIONS IN PARENTHESIS ARE REFERENCE ONLY.
- DIMENSIONS IN SQUARE PARENTHESIS ARE INCH UNIT.

0	FIRST REVISION:			2010/04/14
VERSION NO.	DESCRIPTION OF CHANGES:			SIGNATURE
REFERENTIAL PLASTIC SHRINKAGE (IF NECESSARY):				
SIGNATURE		WAVE CYBER (SHANGHAI) CO., LTD.		
DESIGN	NAME			
INSPECTION			SCALE	MATERIAL
APPROVAL			1 : 5	
THIS PRODUCT DRAWING CAN NOT BE COPIED AND/OR USED WITHOUT PRIOR WRITTEN APPROVAL OF WAVE CYBER.		QUANTITY	SMOOTHNESS	MODEL
				DESCRIPTION
		PROJECTION	COMPUTER CODE	DRAWING NO.
				116165-00
		DO NOT MEASURE THE DIMENSIONS.	UNIT: MM	VERSION NO.
				0
			TOTAL PAGE: 1	