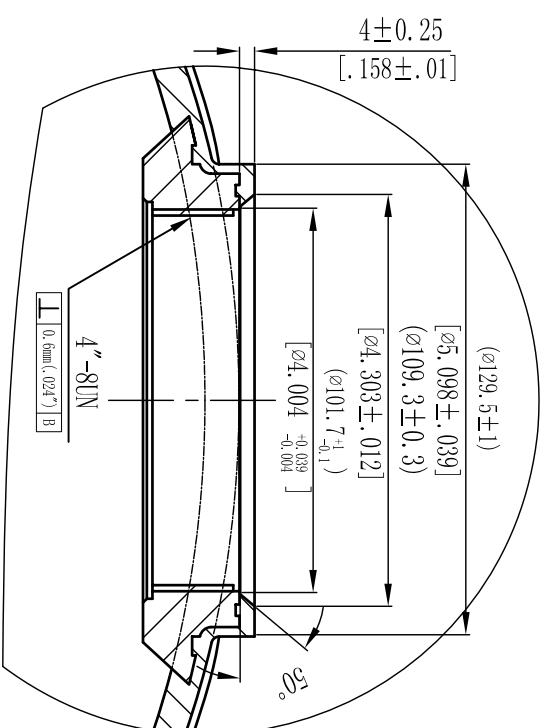


MODEL	A			VOLUME			DOME VOLUME			WEIGHT	
	mm	inch	+/-	liters	U.S. gal	cubic FT	liters	U.S. gal	cubic FT	Kg	LBS
12x48	1356	53.39	6 .24	79.5L	21.00	2.81	3.87	1.02	0.14	8.78	19.32
12x52	1465	59.69	6 .24	87.3L	23.06	3.08	3.87	1.02	0.14	9.33	20.53

Part A 1:2



- NOTES:
- TANK MUST MEET ALL APPLICABLE SPECIFICATIONS OF NSF/ANSI 044 STANDARD, LATEST REVISION.
 - OPERATING SPECIFICATIONS:
 - A. MAXIMUM WORKING PRESSURE - 150 PSI (10.5BAR)
 - B. TEMPERATURE RANGE - 34-120° F (1-49°C)
 - C. MAXIMUM VACUUM - 5"Hg(127mm Hg)
 - VISUAL LINER INSPECTION
 - A. NO MORE THAN 10 INTERNAL OR EXTERNAL BLEMISHES OR BURNT DEBRIS.
 - B. NO INTERNAL OR EXTERNAL BLEMISHES OR BURNT DEBRIS LARGER THAN 3×3mm.
 - C. NO INTERNAL BLEMISHES OR BURNT DEBRIS ALLOWED.
 - ALL GLASS STRANDS FROM FIBERGLASS LINER TO BE BONDED AND COVERED.
 - SURFACE TO BE FREE OF NICKS, SCRATCHES, RESIN AND GLASS.
 - DIMENSIONS IN PARENTHESES ARE REFERENCE ONLY.
 - DIMENSIONS IN SQUARE PARENTHESES ARE INCH UNIT.
 - USING A STANDARD LEVEL WITH TANK POSITIONED ON A LEVEL SURFACE, DATUM B TO BE PARALLEL WITH DATUM A. BUBBLE OF LEVEL MUST FALL COMPLETELY WITHIN LINES WHEN MEASURED AT 90° INTERVALS.

1		THIS DRAWING IS UPDATED COMPLYING WITH THE CHINESE VERSION		SIGNATURE		DATE		2009/06/11	
VERSION NO.		REPERENTIAL PLASTIC SHRINKAGE (IF NECESSARY):		DESCRIPTION OF CHANGES:		SIGNATURE		DATE	
SIGNATURE		NAME		DATE		SCALE		MATERIAL	
DESIGN		INSPECTION		APPROVAL		1 : 5		SMOOTHNESS	
THIS PRODUCT DRAWING CAN NOT BE COPIED AND/OR USED WITHOUT PRIOR WRITTEN APPROVAL OF WAVE CYBER		PROJECTION		COMPUTER CODE		DRAWING NO.		VERSION NO.	
DO NOT MEASURE THE DIMENSIONS.		UNIT: MM		TOTAL PAGE: 1		1111241-00		1	

WAVE CYBER (SHANGHAI) CO., LTD.

MODEL DESCRIPTION
12"(4-4) FRP PRESSURE VESSEL (DOUBLE OPENING)